



extruflex
flexible vinyl extrusion world leader



ECO FLEX

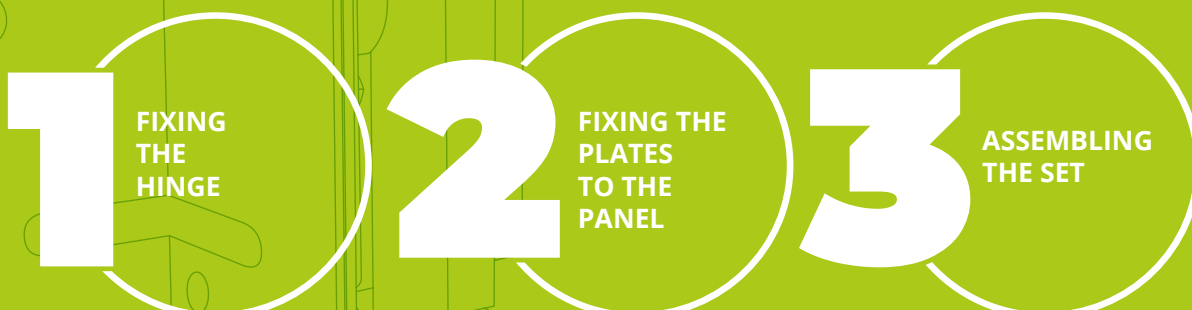
SWING DOOR

THE ECOFLEX SWING DOOR IS A SIMPLE AND ECONOMICAL ALTERNATIVE TO THE STRIP HANGING SYSTEM. COMPOSED OF TRANSPARENT CRYSTAL PANELS, IT IMPROVES THERMAL INSULATION AND REDUCES THE ENERGY CONSUMPTION OF YOUR COLD ROOMS.

/// ECOFLEX'S STRENGTHS



/// INSTALLING THE KIT IN 3 STEPS



/// APPLICATIONS

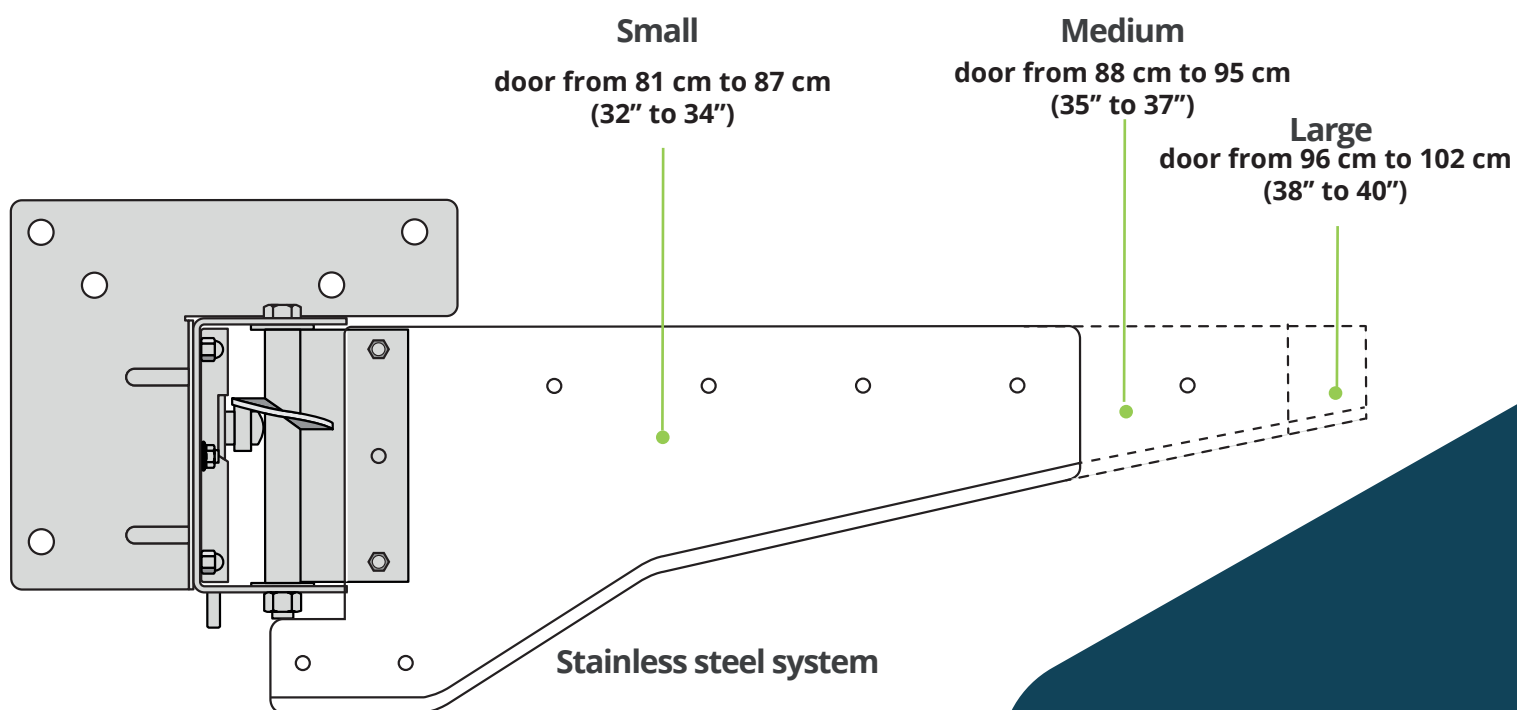
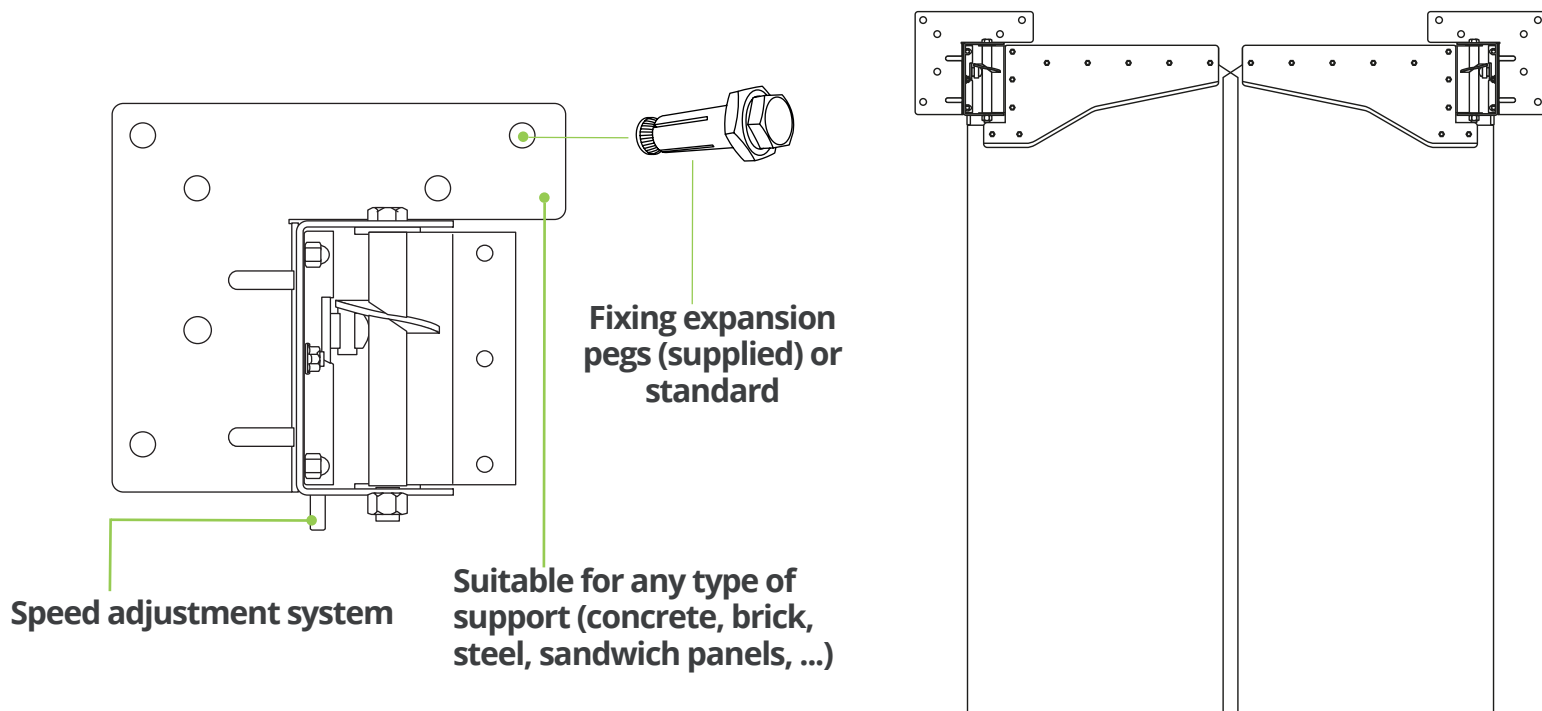


/// TYPE OF TRAFFIC

The ECOFLEX swingdoor allows light trucks, pallet trucks and pedestrians to pass through, ensuring maximum visibility.



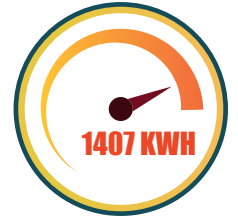
/// SIZES



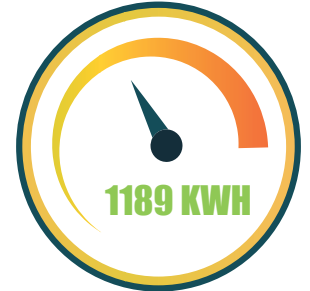
/// TEST STEAK 'N SHAKE

Reduction of 218 Kwh over 30 days, or 16% saving.

WITHOUT
ECO FLEX



WITH
ECO FLEX



Extruflex performed the two-month test over two subsequent 30-day periods at Steak and Shake's Hoover, Alabama location.

Extruflex engineers conducted the test under the supervision of Steak and Shake management and with the assistance of a thirdparty independent electrical engineer.

The results indicate that the presence of the Ecoflex Walk-In Cooler/Freezer door prevented the infiltration of warmer air into the walk-in freezer when staff members opened the door.

As a result, the thermostat didn't activate the compressor and fan motors as often and the walk-in didn't require as much energy during the second 30-day period, with the Ecoflex in use.

/// OUR RECOMMENDATIONS

The ECOFLEX swing doors are compatible with all Extruflex panels (recommended 2mm thickness, max. 3mm)



STANDARD (>8°C)

REF. 100

Transparency, brightness and high impact resistance.



POLAR (<8°C TO -28°C)

REF. 428

Strong insulation power, flexible at low temperatures and breakage resistant.



STOPBAC (>8°C)

REF. 459

Antibacterial formula meets ISO 22196 standard requirements.



FOOD CONTACT (>8°C)

REF. 433

Meets 1375/2004 and UE-10/2011 standard requirements.



/// ABOUT EXTRUFLEX

- ESTABLISHED FOR MORE THAN 65 YEARS IN FRANCE
- FLEXIBLE PVC EXTRUSION WORLD LEADER
- PVC FORMULATOR AND COMPOUNDER EXPERT
- 3 PRODUCTION SITES IN FRANCE / CHINA / USA
- 8 COMMERCIAL SUBSIDIARIES WORLDWIDE

/// OUR LOCALISATIONS



EXTRUFLEX do Brazil

Tel. : +55 (41) 3019 2530
contact-edb@extruflex.com

EXTRUFLEX Asia-Pacific

Tel. : +86 0760 22289080
t.tan@zs-extruflex.com

EXTRUFLEX UK

Tel. : +44 (0) 1495 248 548
contact-uk@extruflex.com

EXTRUFLEX France HQ

Tel. : +33 (0)1 41 49 99 30
contact-lvp@extruflex.com

EXTRUFLEX Italy

Tel. : +39 011 19857747
contact-it@extruflex.com

EXTRUFLEX Russia

Tel. : +7 919 990 1590
info@extruflex.com

EXTRUFLEX Germany

Tel. : +49(0) 2203 102 45 81
contact-gmbh@extruflex.com

EXTRUFLEX North America

Tel. : +1 888 501 1095
info@extruflexna.com

